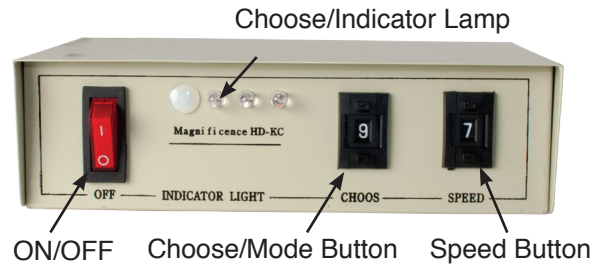


PRODUCT SPECIFICATIONS

NAME: 9 Function RGB Controller



Button/Interface Specifications

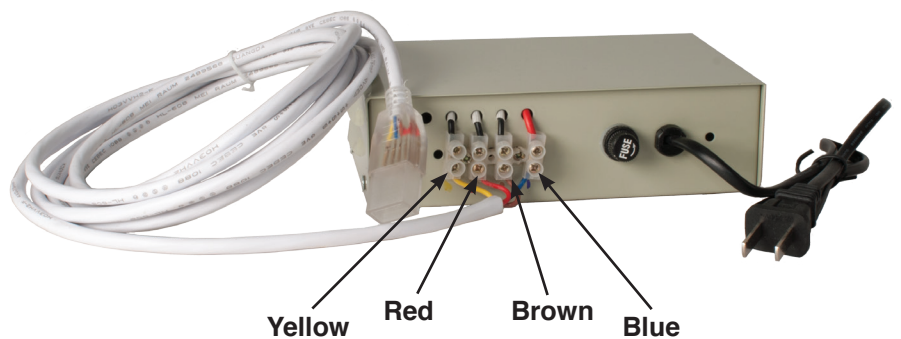


Technical parameters

1. Working Temperature: -4°F - 140°F
2. Power Supply Voltage: AC100-120V ☐
3. Output: 3 channels
4. External Dimensions: 6 3/4" L x 4 1/4" W x 2" H
5. Net Weight: 1lb. 2oz.
6. Gross Weight: 1lb. 4oz.
7. Static Power Consumption: <1 W
8. Output Current: 2AX3
9. Max. Output Power: 1500W ☐

Mode of Connection

(Includes 10 Ft. Power Cord Extension)



GSR-RGB-CR FUNCTIONS

- 1: **Turn Controller Off To Change Modes!**
- 2: **The Arrows On The RGB Ribbon Must Point Away From Controller!**

Static colors can be achieved with the following combinations:

MODE	DESCRIPTION
1	White flashing
2	RGB 3 color changing: Red, Green, Blue
3	RGB 3 color changing back & forth: Red, Green, Blue, Green, Red
4	RGB 3 color changing: Cyan, Purple, Yellow
5	RGB 3 times color flashing: Red, Green, Blue
6	RGB 5 color changing: Red, Yellow, White, Cyan, Blue
7	RGB 7 color changing: Red, Green, Blue, Purple, Cyan, Yellow, White
8	RGB 3 color fading: Red, Green, Blue
9	RGB 7 color fading: Red, Green, Blue, Purple, Cyan, Yellow, White

MODE	SPEED	COLOR
1	0	Red
2	0	Green
3	0	Blue
4	0	Purple
5	0	Cyan
6	0	Yellow
7	0	White